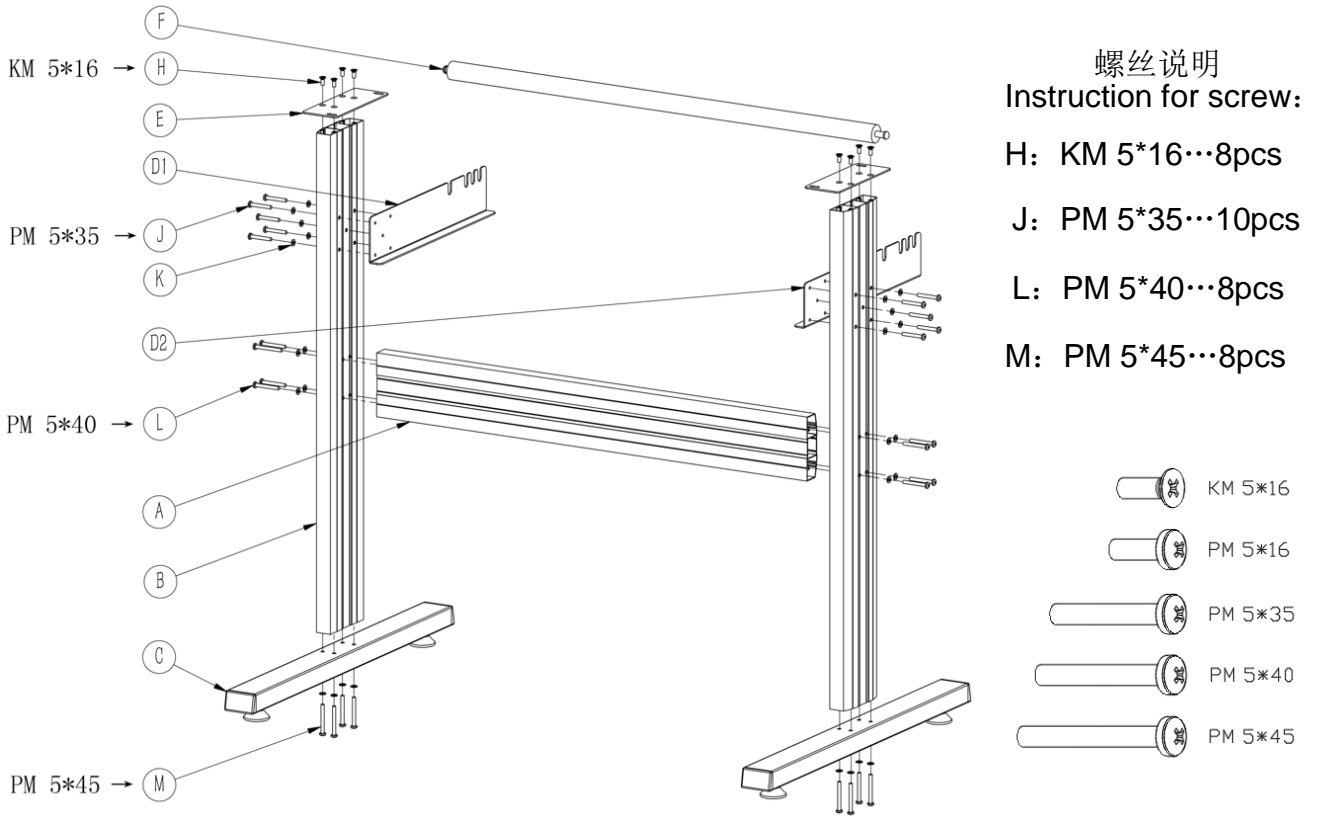


Floor stand assembling instruction 腿架安装示意图(2018.5.28)

1 : Assembling 组装



2: Fix the cutter to the floor stand 将刻字机固定到支架上面

